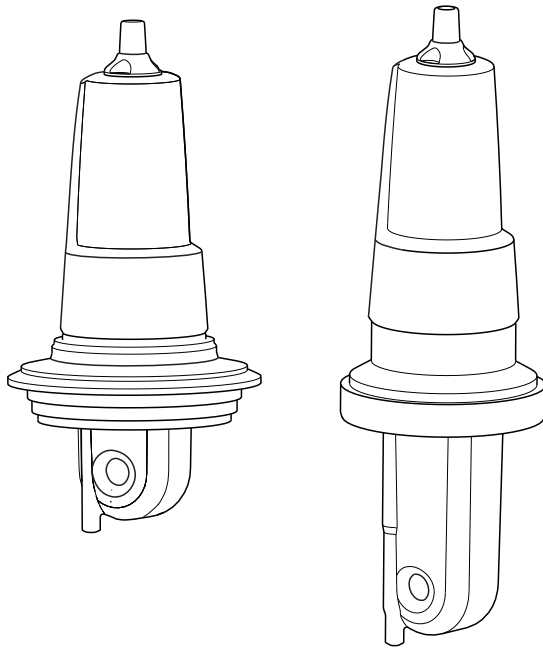


Operating Instructions

Indumax CLS54D

Conductivity sensor with inductive measurement of conductivity and hygienic design for applications in the food, beverage and pharmaceutical industries and in biotechnology







AUTHORIZED DISTRIBUTOR:
InstrumentsAndControl.com
Houston, Texas USA
sales@InstrumentsAndControl.com
281-609-7170

Table of contents







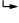
1	Document information	4
1.1	Warnings	4
1.2	Symbols used	4
1.3	Symbols on the device	5
2	Basic safety instructions	6
2.1	Requirements for the personnel	6
2.2	Designated use	6
2.3	Occupational safety	6
2.4	Operational safety	7
2.5	Product safety	7
3	Incoming acceptance and product identification	8
3.1	Incoming acceptance	8
3.2	Scope of delivery	8
3.3	Product identification	9
3.4	Certificates and approvals	10
4	Installation	11
4.1	Installation conditions	11
4.2	Installation	13
4.3	Post-installation check	13
5	Electrical connection	14
5.1	Connecting to the transmitter	14
5.2	Ensuring the degree of protection	15
5.3	Post-connection check	15
6	Maintenance	16
7	Repairs	16
7.1	Return	16
7.2	Disposal	16
8	Accessories	17
8.1	Cable extension	17
8.2	Calibration solutions	17
9	Technical data	18
	Index	21

1 Document information

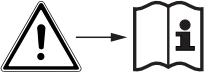
1.1 Warnings

Structure of information	Meaning
 <p>Causes (/consequences) If necessary, Consequences of non-compliance (if applicable) ▶ Corrective action</p>	<p>This symbol alerts you to a dangerous situation. Failure to avoid the dangerous situation will result in a fatal or serious injury.</p>
 <p>Causes (/consequences) If necessary, Consequences of non-compliance (if applicable) ▶ Corrective action</p>	<p>This symbol alerts you to a dangerous situation. Failure to avoid the dangerous situation can result in a fatal or serious injury.</p>
 <p>Causes (/consequences) If necessary, Consequences of non-compliance (if applicable) ▶ Corrective action</p>	<p>This symbol alerts you to a dangerous situation. Failure to avoid this situation can result in minor or more serious injuries.</p>
 <p>Cause/situation If necessary, Consequences of non-compliance (if applicable) ▶ Action/note</p>	<p>This symbol alerts you to situations which may result in damage to property.</p>

1.2 Symbols used

Symbol	Meaning
	Additional information, tips
	Permitted or recommended
	Not permitted or not recommended
	Reference to device documentation
	Reference to page
	Reference to graphic
	Result of a step

1.3 Symbols on the device

Symbol	Meaning
	Reference to device documentation

2 Basic safety instructions

2.1 Requirements for the personnel

- Installation, commissioning, operation and maintenance of the measuring system may be carried out only by specially trained technical personnel.
- The technical personnel must be authorized by the plant operator to carry out the specified activities.
- The electrical connection may be performed only by an electrical technician.
- The technical personnel must have read and understood these Operating Instructions and must follow the instructions contained therein.
- Faults at the measuring point may only be rectified by authorized and specially trained personnel.

 Repairs not described in the Operating Instructions provided must be carried out only directly at the manufacturer's site or by the service organization.

2.2 Designated use

Indumax CLS54D is designed for the inductive measurement of the conductivity of liquids in the food and beverages industry.

The six-decade measuring range and the excellent chemical resistance properties of the materials in contact with the medium make it possible to use this sensor in a wide range of applications, such as:

- Concentration measurement of acids and bases
- Phase separation of products

The sensor is used with Liquiline CM44x/R/P, Liquiline CM42 or Liquiline CM14.

Use of the device for any purpose other than that described, poses a threat to the safety of people and of the entire measuring system and is therefore not permitted.

The manufacturer is not liable for damage caused by improper or non-designated use.

NOTICE

Non-designated use

Incorrect measurements, malfunctions and even measuring point failure could result

- ▶ Only use the product in accordance with the product specifications.
- ▶ Pay particular attention to the technical data on the nameplate.

2.3 Occupational safety

As the user, you are responsible for complying with the following safety conditions:

- Installation guidelines
- Local standards and regulations

Electromagnetic compatibility

- The product has been tested for electromagnetic compatibility in accordance with the applicable European standards for industrial applications.
- The electromagnetic compatibility indicated applies only to a product that has been connected in accordance with these Operating Instructions.

2.4 Operational safety

1. Before commissioning the entire measuring point, verify that all connections are correct. Ensure that electrical cables and hose connections are undamaged.
2. Do not operate damaged products, and safeguard them to ensure that they are not operated inadvertently. Label the damaged product as defective.
3. If faults cannot be rectified:
Take the products out of operation and safeguard them to ensure that they are not operated inadvertently.

2.5 Product safety

The product is designed to meet state-of-the-art safety requirements, has been tested, and left the factory in a condition in which it is safe to operate. The relevant regulations and European standards have been observed.

3 Incoming acceptance and product identification

3.1 Incoming acceptance

1. Verify that the packaging is undamaged.
 - ↳ Notify your supplier of any damage to the packaging.
Keep the damaged packaging until the matter has been settled.
2. Verify that the contents are undamaged.
 - ↳ Notify your supplier of any damage to the delivery contents.
Keep the damaged products until the matter has been settled.
3. Check the delivery for completeness.
 - ↳ Check it against the delivery papers and your order.
4. Pack the product for storage and transportation in such a way that it is protected against impact and moisture.
 - ↳ The original packaging offers the best protection.
The permitted ambient conditions must be observed (see "Technical data").

If you have any questions, please contact your supplier or your local sales center.

3.2 Scope of delivery

The scope of delivery includes:

- Sensor in the version ordered
- Operating Instructions

3.3 Product identification

3.3.1 Nameplate

The nameplate can be found on the sensor.

The following information is provided on the nameplate:

- Manufacturer identification
- Order code
- Extended order code
- Serial number
- Cell constant (nominal value)
- Protection class
- Pressure specification at 20 °C
- Continuous service temperature



Compare the data on the nameplate with your order.

3.3.2 Product identification

Product page

www.endress.com/cls54D

Interpreting the order code

The order code and serial number of your product can be found in the following locations:

- On the nameplate
- In the delivery papers

Obtaining information on the product

1. Go to the product page for your product on the Internet.
2. At the bottom of the page, click the link **Online Tools** and then select **Access device specific information**.
 - ↳ An additional window opens.
3. Enter the order code from the nameplate into the search field and then select **Show details**.
 - ↳ You will receive information on each feature (selected option) of the order code.

Manufacturer's address

Endress+Hauser Conducta GmbH+Co. KG
Dieselstraße 24
D-70839 Gerlingen

3.4 Certificates and approvals

3.4.1 Hygiene

FDA

All materials in contact with the product are listed by the FDA.

EHEDG

Certified cleanability according to EHEDG TYPE EL-class I.



When using the sensor in hygienic applications, please note that the cleanability of the sensor also depends on the way the sensor is installed. To install the sensor in a pipe, use the appropriate and EHEDG-certified flow vessels for the particular process connection.

3-A

Certified according to 3-A Standard 74- ("3-A Sanitary Standards for Sensor and Sensor Fittings and Connections Used on Milk and Milk Products Equipment").

Biological reactivity (USP class VI) (option)

Biological reactivity test certificate (Certificate of Compliance) according to USP (United States Pharmacopoeia) part <87> and part <88> class VI with lot number traceability of materials in contact with the medium.

3.4.2 **CE mark**

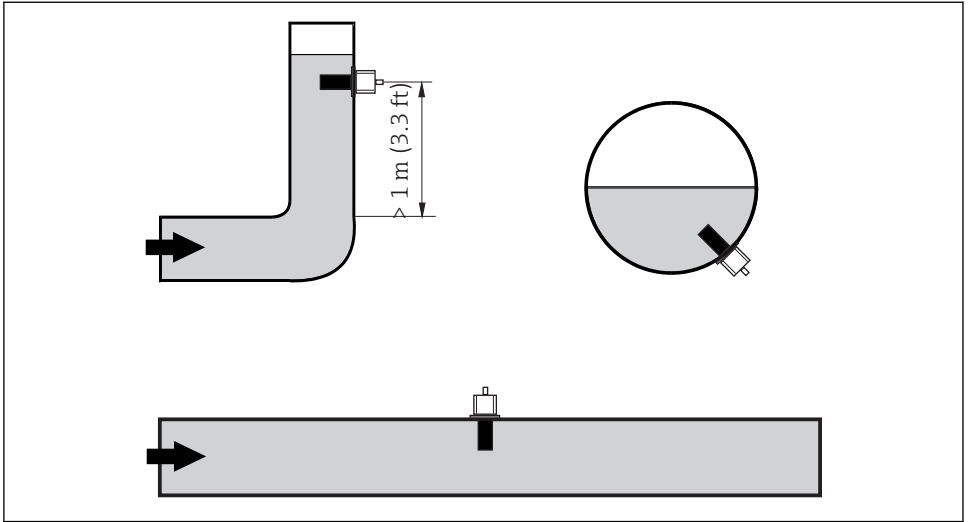
The product meets the requirements of the harmonized European standards. As such, it complies with the legal specifications of the EU directives. The manufacturer confirms successful testing of the product by affixing to it the **CE** mark.

4 Installation

4.1 Installation conditions

4.1.1 Orientation

The sensor must be completely immersed in the medium. Avoid air bubbles in the area of the sensor.



A0017691

1 Installation positions of the conductivity sensor

i If the flow direction changes (after pipe bends), turbulence in the medium can result. Install the sensor at a distance of at least 1 m (3.3 ft) downstream from a pipe bend.

The product should flow along the hole of the sensor (see the arrows on the housing). The symmetrical measuring channel allows flow in both directions.

i For a 3-A compliant installation, the following must be noted:

After the instrument is installed its hygienic integrity shall be maintained. All process connections must be 3-A compliant.

4.1.2 Installation factor

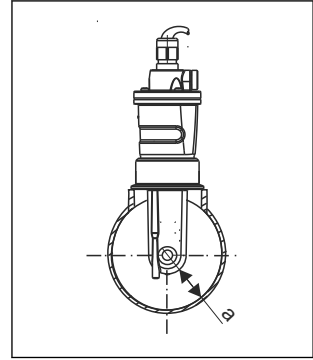
The ionic current in the liquid is affected by the walls in confined installation conditions. This effect is compensated by what is referred to as the installation factor. The installation factor can be entered in the transmitter for the measurement or the cell constant is corrected by multiplying by the installation factor.

The value of the installation factor depends on the diameter and the conductivity of the pipe nozzle as well as the distance a between the sensor and the wall.

The installation factor f ($f = 1.00$) can be disregarded if the distance to the wall is sufficient ($a > 15$ mm, from DN 65).

If the distance to the wall is smaller, the installation factor increases for electrically insulating pipes ($f > 1$), and decreases for electrically conductive pipes ($f < 1$).

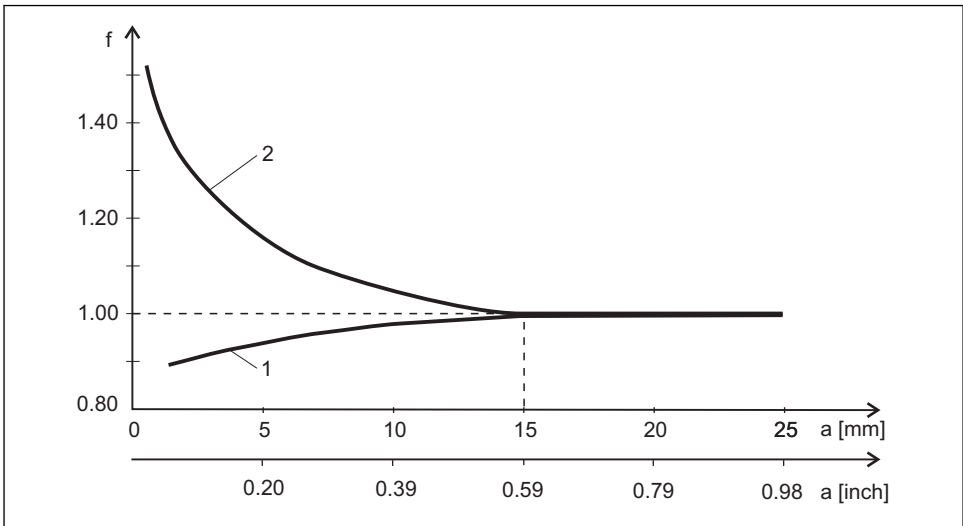
It can be measured using calibration solutions, or a close approximation can be determined from the diagram below.



A0005453

2 Installation of CLS54D

a Wall distance



A0005441

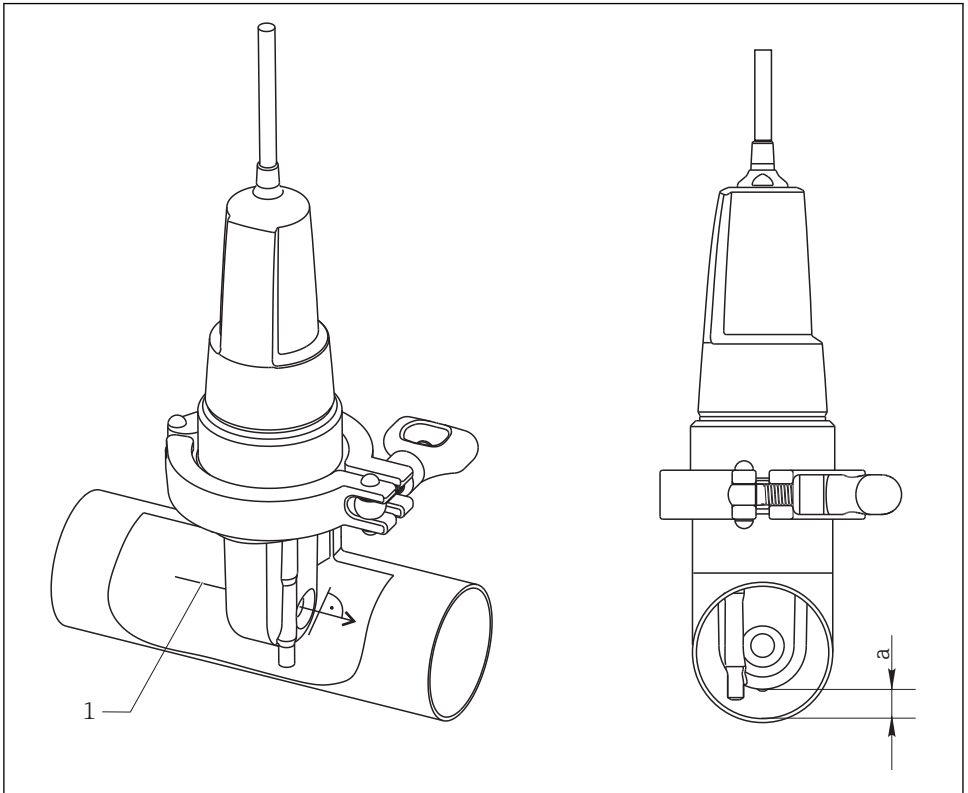
3 Relationship between installation factor f and wall distance a

- 1 Electrically conductive pipe wall
- 2 Electrically insulating pipe wall

4.1.3 Air set

The digital sensor has already been adjusted at the factory. Onsite compensation is not required.

4.2 Installation



A0032586

4 Installed length of the sensor

1 Direction of medium flow

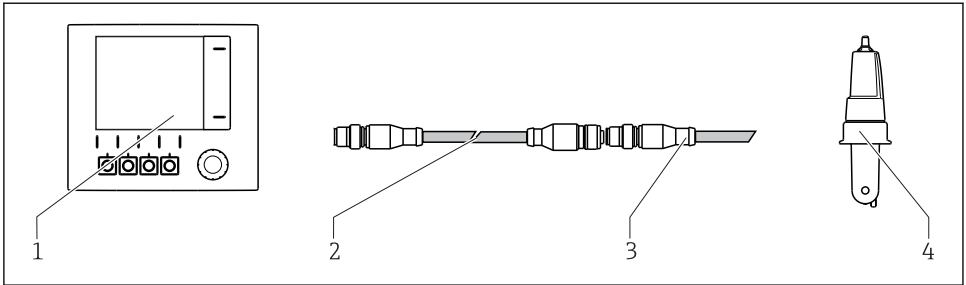
a Distance from pipe wall

- ▶ When installing, align the sensor in such a way that the medium flows through the flow opening of the sensor in the direction of medium flow. The sensor head must be completely immersed in the medium.

4.3 Post-installation check

Put the sensor into operation only if you can answer "yes" to the following questions:

- Are the sensor and cable undamaged?
- Is the orientation correct?
- Has the sensor been installed in the process connection, and does not suspend freely from the cable?



A0017842

6 *CYK11 for extension with M12 connection*

- 1 Transmitter
- 2 CYK11 measuring cable with M12 connection
- A CLS54D connecting cable with M12 plug
- B Sensor CLS54D

5.2 Ensuring the degree of protection

Only the mechanical and electrical connections which are described in these instructions and which are necessary for the required, designated use, may be carried out on the device delivered.

- ▶ Exercise care when carrying out the work.

Otherwise, the individual types of protection (Ingress Protection (IP), electrical safety, EMC interference immunity) agreed for this product can no longer be guaranteed due, for example, to covers being left off or cable (ends) which are loose or insufficiently secured.

5.3 Post-connection check

Device condition and specifications	Notes
Are the outside of the sensor, assembly, cable undamaged?	Visual inspection
Electrical connection	Notes
Are the installed cables strain-relieved and not twisted?	
Is a sufficient length of the cable cores stripped, and is it positioned in the terminal correctly?	Check the fit (by pulling gently)
Are all the screws terminals properly tightened?	Tighten
Are all cable entries mounted, tightened and leak-tight?	For lateral cable entries, make sure the cables loop downwards to allow water to drip off
Are all cable entries installed downwards or mounted laterally?	

6 Maintenance

CAUTION

Corrosive chemicals

Danger of chemical burns to the eyes and skin. Danger of damage to clothing and equipment

- ▶ It is absolutely essential to protect the eyes and hands properly when working with acids, bases and organic solvents!
- ▶ Wear protective goggles and safety gloves.
- ▶ Clean away splashes on clothes and other objects to prevent any damage.
- ▶ Pay particular attention to the information provided in the safety data sheets for the chemicals used.

As there is no galvanic contact with the medium, inductive sensors are considerably less sensitive to dirt and fouling than conventional conductive sensors.

However, dirt can clog the measuring channel which, in turn, can alter the cell constant. In such cases, an inductive sensor also needs to be cleaned.

Clean away fouling on the sensor as follows depending on the type of fouling:

- Oily and greasy films:
Clean with grease remover, e.g. alcohol, acetone, possibly hot water and dishwashing detergent.
- Lime and metal hydroxide buildup:
Dissolve buildup with diluted hydrochloric acid (3 %) and then rinse thoroughly with plenty of clear water.
- Sulfidic buildup (from flue gas desulfurization or sewage treatment plants):
Use a mixture of hydrochloric acid (3 %) and thiocarbamide (commercially available) and then rinse thoroughly with plenty of clear water.
- Buildup containing proteins (e.g. food industry):
Use a mixture of hydrochloric acid (0.5 %) and pepsin (commercially available) and then rinse thoroughly with plenty of clear water.

7 Repairs

7.1 Return

The product must be returned if repairs or a factory calibration are required, or if the wrong product was ordered or delivered. As an ISO-certified company and also due to legal regulations, Endress+Hauser is obliged to follow certain procedures when handling any returned products that have been in contact with medium.

To ensure swift, safe and professional device returns, please read the return procedures and conditions at www.endress.com/support/return-material.

7.2 Disposal

The device contains electronic components and must therefore be disposed of in accordance with regulations on the disposal of electronic waste.

Observe the local regulations.

8 Accessories

8.1 Cable extension

8.1.1 Measuring cable

Memosens data cable CYK11

- Extension cable for digital sensors with Memosens protocol
- Product Configurator on the product page: www.endress.com/cyk11



Technical Information TI00118C

8.1.2 Junction box

Junction box, M12 socket/cable

- Material: aluminum, painted
- Cable extension: Memosens sensors, Liquiline
- Order No.: 71145498

Junction box, cable/cable

- Material: aluminum, painted
- Cable extension: Memosens sensors, Liquiline
- Order No.: 71145499

8.2 Calibration solutions

Conductivity calibration solutions CLY11

Precision solutions referenced to SRM (Standard Reference Material) by NIST for qualified calibration of conductivity measuring systems in accordance with ISO 9000

- CLY11-B, 149.6 $\mu\text{S}/\text{cm}$ (reference temperature 25 °C (77 °F)), 500 ml (16.9 fl.oz)
Order No. 50081903
- CLY11-C, 1.406 mS/cm (reference temperature 25 °C (77 °F)), 500 ml (16.9 fl.oz)
Order No. 50081904
- CLY11-D, 12.64 mS/cm (reference temperature 25 °C (77 °F)), 500 ml (16.9 fl.oz)
Order No. 50081905
- CLY11-E, 107.00 mS/cm (reference temperature 25 °C (77 °F)), 500 ml (16.9 fl.oz)
Order No. 50081906



Technical Information TI00162C

9 Technical data

9.1 Input

9.1.1 Measured values

- Conductivity
- Temperature

9.1.2 Measuring range

Conductivity	Recommended range: 100 $\mu\text{S}/\text{cm}$ to 2000 mS/cm (uncompensated)
Temperature	-10 to +150 $^{\circ}\text{C}$ (+14 to +302 $^{\circ}\text{F}$)

9.1.3 Cell constant

$k = 6.3 \text{ cm}^{-1}$

9.1.4 Temperature measurement

Pt1000 (Class A according to DIN EN 60751)

9.2 Performance characteristics

9.2.1 Temperature response time

$t_{90} \leq 26 \text{ s}$

9.2.2 Conductivity response time

$t_{95} \leq 2 \text{ s}$

9.2.3 Maximum measured error

< 100 $^{\circ}\text{C}$ (212 $^{\circ}\text{F}$):	$\pm(10 \mu\text{S}/\text{cm} + 0.5 \% \text{ of reading})$, after calibration
> 100 $^{\circ}\text{C}$ (212 $^{\circ}\text{F}$):	$\pm(25 \mu\text{S}/\text{cm} + 0.5 \% \text{ of reading})$, after calibration

9.2.4 Repeatability

0.2 % of reading + 3 $\mu\text{S}/\text{cm}$

9.3 Environment

9.3.1 Ambient temperature range

-20 to +60 $^{\circ}\text{C}$ (-4 to 140 $^{\circ}\text{F}$)

9.3.2 Storage temperature

-25 to +80 $^{\circ}\text{C}$ (-13 to +176 $^{\circ}\text{F}$)

9.3.3 Relative humidity

5 to 95 %

9.3.4 Degree of protection

IP 68 / NEMA type 6P (1 m water column, 25 °C, 168 h)

9.4 Process

9.4.1 Process temperature

-10 to +125 °C (+14 to +257 °F)

9.4.2 Sterilization

150 °C (302 °F) / 6 bar (87 psi) absolute, (max. 60 min.)

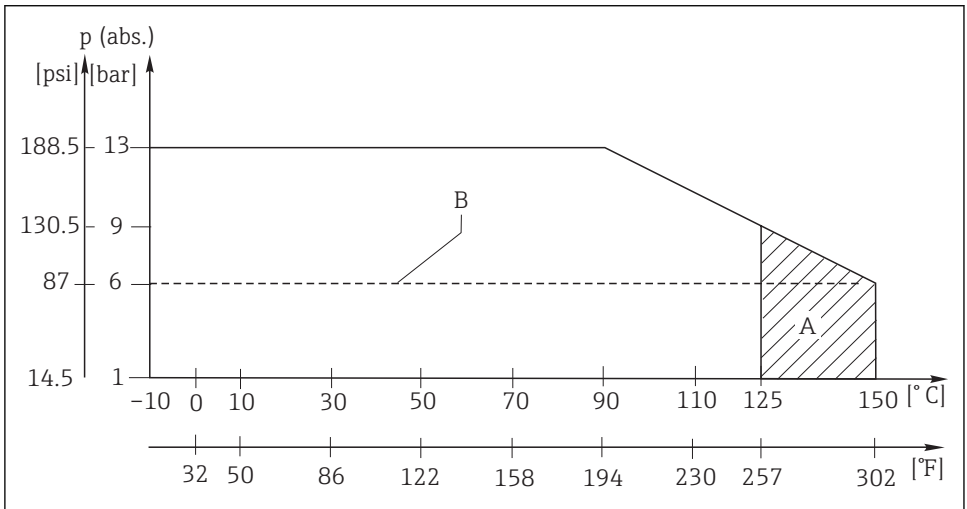
9.4.3 Process pressure (absolute)

13 bar (188.5 psi) up to 90 °C (194 °F)

9 bar (130.5 psi) at 125 °C (257 °F)

Underpressure down to 0.1 bar (1.45 psi)

9.4.4 Temperature/pressure ratings



A0008379

7 Pressure/temperature ratings

A Temporarily for sterilization (max. 60 min.)

B MAWP (maximum allowable working pressure) according to ASME-BPVC Sec. VIII, Div 1 UG101 for CRN registration

9.5 Mechanical construction

9.5.1 Weight

0.3 to 0.5 kg (0.66 to 1.1 lb.) depending on version plus cable

9.5.2 Materials

In contact with medium

Virgin PEEK

Not in contact with medium

PPS-GF40

Stainless steel 1.4404 (AISI 316L)

Screws: 1.4301 (AISI 304)

Cable gland: PVDF

Seals: FKM, EPDM

Cable: TPE

9.5.3 Surface roughness

$R_a \leq 0.8 \mu\text{m}$ (smooth, injection-molded PEEK surface) at surfaces in contact with medium

9.5.4 Chemical resistance

Medium	Concentration	PEEK
Caustic soda NaOH	0 to 15 %	20 to 90 °C (68 to 194 °F)
Nitric acid HNO ₃	0 to 10 %	20 to 90 °C (68 to 194 °F)
Phosphoric acid H ₃ PO ₄	0 to 15 %	20 to 80 °C (68 to 176 °F)
Sulfuric acid H ₂ SO ₄	0 to 30 %	20 °C (68 °F)
Peracetic acid H ₃ C-CO-OOH	0.2 %	20 °C (68 °F)

Index

Symbols

€ mark 10

0 ... 9

3-A 10

A

Accessories 17

Air set 12

Ambient temperature range 18

Approvals 10

B

Biological reactivity 10

C

Calibration solutions 17

Cell constant 18

Certificates 10

Chemical resistance 20

Conductivity response time 18

D

Degree of protection 19

Designated use 6

Disposal 16

E

EHEDG 10

Electrical connection 14

Ensuring the degree of protection 15

Environment 18

F

FDA 10

I

Incoming acceptance 8

Input 18

Installation 11, 13

Installation conditions 11

Installation factor 12

Interpreting the order code 9

J

Junction box 14, 17

M

Maintenance 16

Manufacturer's address 9

Materials 20

Maximum measured error 18

Measured values 18

Measuring cable 17

Measuring range 18

Mechanical construction 20

N

Nameplate 9

O

Occupational safety 6

Operational safety 7

Orientation 11

P

Performance characteristics 18

Post-connection check 15

Post-installation check 13

Process 19

Process pressure 19

Process temperature 19

Product identification 8, 9

Product page 9

Product safety 7

R

Relative humidity 19

Repairs 16

Repeatability 18

Requirements for the personnel 6

Return 16

S

Safety instructions 6

Scope of delivery 8

Sterilization 19

Storage temperature 18

Surface roughness 20

Symbols 4

T

Technical data 18

Temperature response time 18
Temperature sensor 18
Temperature/pressure ratings 19

U

Use 6

W

Warnings 4
Weight 20
Wiring 14

www.addresses.endress.com
